

154\_Eli Collection

design: guggenbichler design



154.01\_indoor  
154.04\_outdoor

SPECIFICATIONS

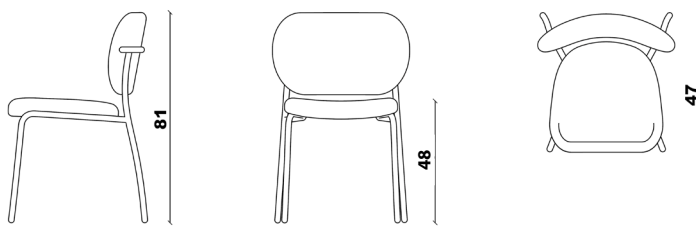
**SHELL:** 10 MM THICK PLYWOOD BEECH  
**FOAM:** POLYURETHANE FOAM 40 KG/M3 - CAL 117 : 2023  
**FRAME:** STEEL  
**GLIDES:** PVC

**USE:** INDOOR & OUTDOOR \*

**DESTINATION OF USE:** HOSPITALITY / COMMERCIAL / CORPORATE AND RESIDENTIAL

**STACKABILITY:** NO

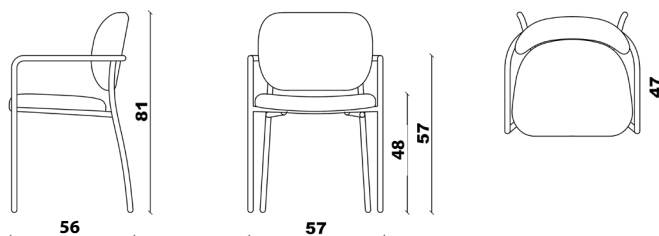
DIMENSIONS:



ALL DIMENSIONS IN CENTIMETERS (CM)



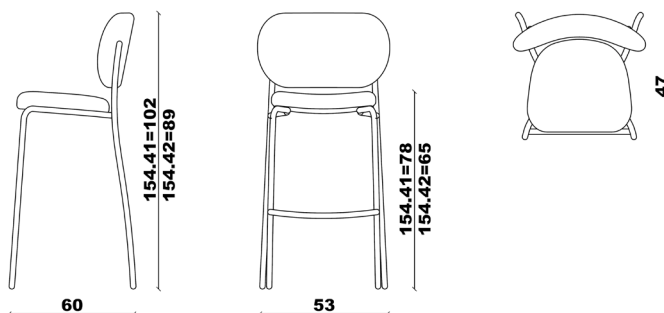
154.11\_indoor  
154.14\_outdoor



ALL DIMENSIONS IN CENTIMETERS (CM)



154.41\_indoor  
154.42\_indoor  
154.44\_outdoor  
154.45\_outdoor



ALL DIMENSIONS IN CENTIMETERS (CM)

## 154\_Eli Collection

design: guggenbichler design



154.01\_indoor  
154.04\_outdoor



154.11\_indoor  
154.14\_outdoor



154.41\_indoor  
154.42\_indoor  
154.44\_outdoor  
154.45\_outdoor

### Eli Collection

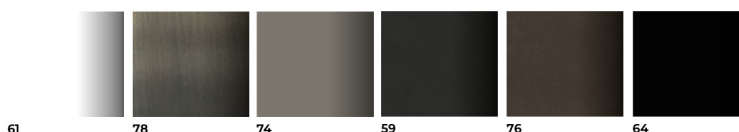
The Eli family, consisting of a chair, an armchair, and a stool, offers complete versatility. The collection features a sleek and simple design with clean lines and a comfortable padded seat. The backrest is gently curved, providing extra support and comfort. One of the key features of the Eli collection is its versatility. While the collection has a contemporary design that looks great indoors, it is also suitable for outdoor use.

The chairs and armchairs within the indoor Eli collection can be upholstered with a wide range of fabrics and leathers. The outdoor Eli collection features a structure that has been given a specific treatment suited to exterior spaces, and the backrest and seat feature a water-repellent internal coating which is designed for carefree outdoor use.

Only In & Out Fabric can be used for the upholstery. This fabric is designed for outdoor use, due to its durability and resistance to UV rays, moisture, and mildew.

### STEEL FRAME FINISHINGS:

- 59 - DARK GREY
- 61 - WHITE
- 64 - BLACK
- 74 - MUD
- 76 - BURNISHED BROWN
- 78 - BRONZE
- SPECIAL COLOR ON REQUEST



### UPHOLSTERY:

- all fabrics / leathers and vinyl graded

FABRIC REQUIREMENT	1PC	2PCS	3PCS	4PCS
	70 cm	140 cm	210 cm	280 cm

\* FOR OUTDOOR USE, THE USE OF OUTDOOR TEXTILE IS REQUIRED.

THE 3D FILE ARE AVAILABLE FORM [TONONITALIA.COM](http://TONONITALIA.COM)

### certifications for indoor:

#### For foam:

- CA - CALIFORNIA TECHNICAL BULLERIN 117/2013 - Section 3 (con utilizzo di antifiamma / with use of flame retardant)
- Foams containing Phosphorus / Chlorine liquid flame retardant and organo-nitrogen solid flame retardant, banned in California from 01/01/2020 (AB 2998).
- UNI 9175 (CLASSE 1 IM)
- FTP CODE 2010 Annex 1 Part 8 (MED 3.20(d) - MOD. B)
- SCHEDULE 1 PART I OF THE FURNITURE AND FURNISHINGS (FIRE)(SAFETY)REGULATIONS 1988, AMENDED 1989 AND 1993 (B.S.5852:PART 2 CRIB V)
- DIN 4102-B1

### certifications for outdoor:

#### For foam:

- CA - CALIFORNIA TECHNICAL BULLERIN 117/2013 - Section 3 (con utilizzo di antifiamma / with use of flame retardant)
- Foams containing Phosphorus / Chlorine liquid flame retardant and organo-nitrogen solid flame retardant, banned in California from 01/01/2020 (AB 2998).
- UNI 9175 (CLASSE 1 IM)
- FTP CODE 2010 Annex 1 Part 8 (MED 3.20(d) - MOD. B)
- SCHEDULE 1 PART I OF THE FURNITURE AND FURNISHINGS (FIRE)(SAFETY)REGULATIONS 1988, AMENDED 1989 AND 1993 (B.S.5852:PART 2 CRIB V)
- DIN 4102-B1

#### For frame:

- ISO 6720-1:1998,
- ISO 2812-2:1993,
- Neutral Salt Spray ISO 9227